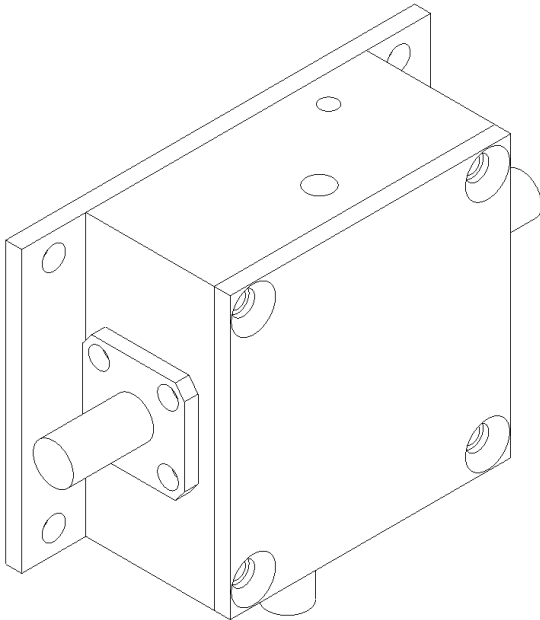
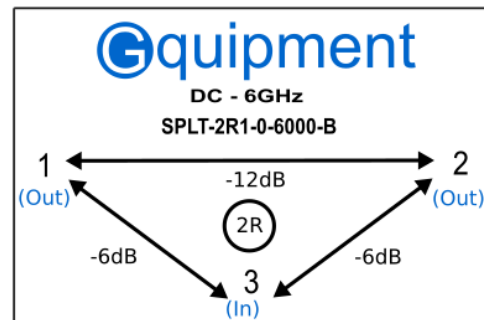


SPLT-2R1-0-6000-B-XX Power Splitter - Resistive - 6dB



Function description (S-parameters matrix) for the splitter modelled as a three port device.

$$\begin{pmatrix} 0.25 & 0.25 & 0.5 \\ 0.25 & 0.25 & 0.5 \\ 0.5 & 0.5 & 0 \end{pmatrix}$$



P1 = OUT

P2 = OUT

P3 = IN

Features

- Resistive power splitter
- Frequency range : 0Hz - 6 GHz
- 12dB isolation between P1 and P2
- Low (equivalent) VSWR
- 3 SMA ports
- Solid aluminium case
- RoHS compliant

Applications

- Leveling loop or ratio measurements
- Radio-frequency applications
- Test equipment

General description

This three-port device splits power applied to one port between the other two. Insertion loss is equal to 6 dB.

The splitter is designed for applications in which the powersplit should be independant of the load impedance. This is the case when the power output *ratio* of port 1 and 2 is measured with this device.

Another typical application is a levelling loop. In this case one of the ports (either P1 or P2) is used in a negative feedback loop to set the power output level of a generator to some reference value. Now, the other port outputs the same amount of power at a very low equivalent VSWR, due to the effective reflection coefficient approaching zero.

The splitter is housed in a milled aluminium enclosure.

Specifications

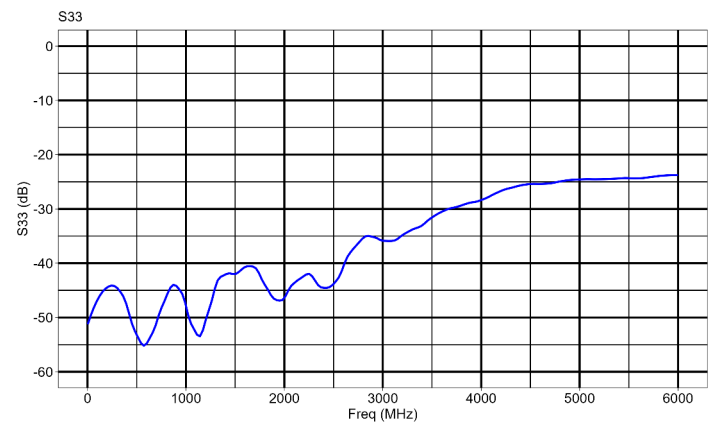
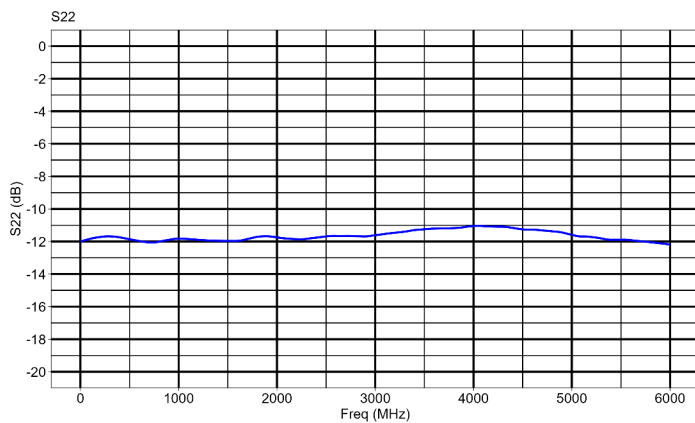
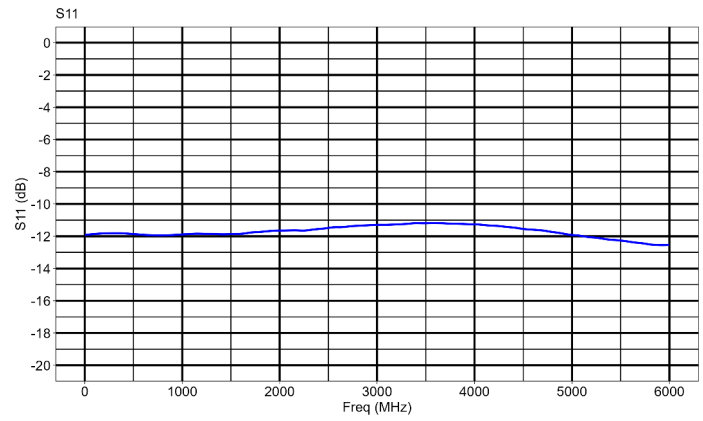
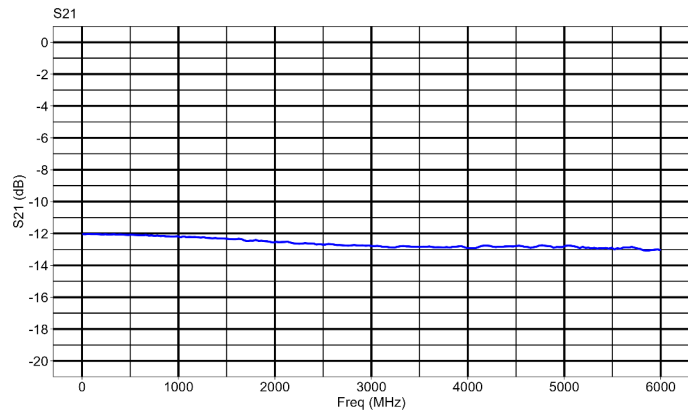
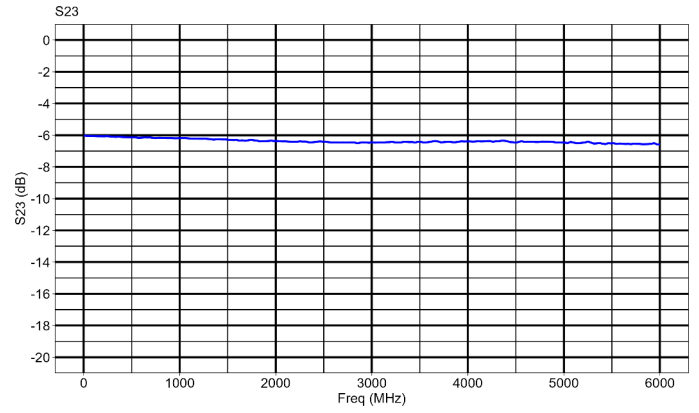
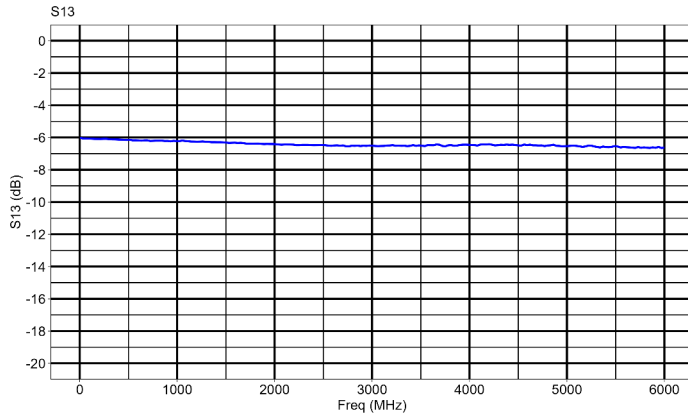
General

Item	Value	Tolerance	Dimension
Frequency range	0 - 6.0	-	GHz
Maximum signal power	0.2	-	W
Number of (female) SMA connector ports	3	-	-
Box weight SPLT-2R1-0-3000-A-..	0.052 (..YF-01) 0.049 (..NF-01)		kg
Outer dimensions (width x depth x height)	35 x 35 x 20	0.1	mm

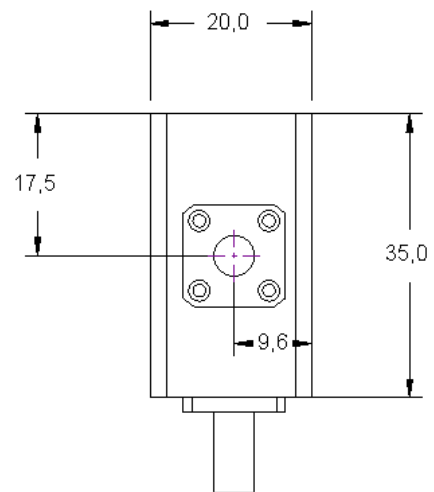
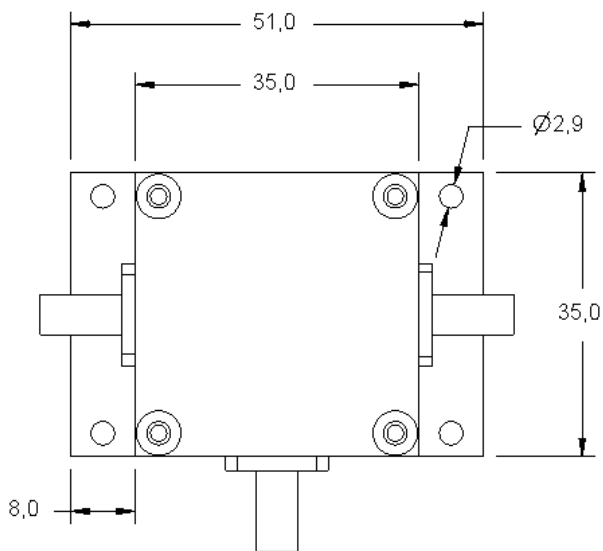
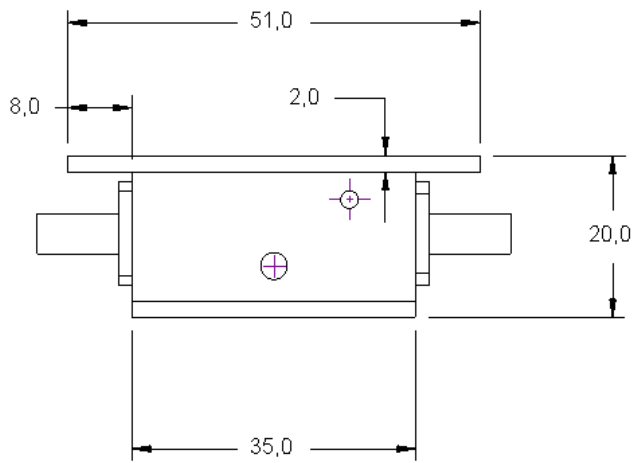
Versions

Type	Feature
SPLT-2R1-0-6000-B- NF	Box without mounting flange
SPLT-2R1-0-6000-B- YF	Box with mounting flange

S-parameters



Enclosure Drawings



Note1 : All measures in mm. Tolerance : 0.1 mm.

Note2 : Drawing shows the SPLT-2R1-0-6000-B-YF version only. However, all dimension for the version SPLT-2R1-0-6000-B-NF are identical with the exception of the mounting flanges at the bottom side of the box, which don't exist in the '-NF version.



1.

Revision history

Revision	Status	Date
000	Released	January 07, 2023

Legal

Specifications are subject to change without notice.

www.gequipment.com