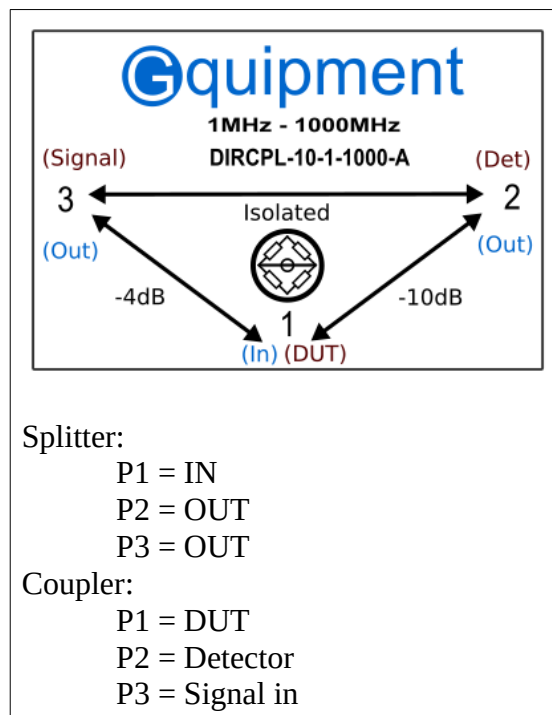
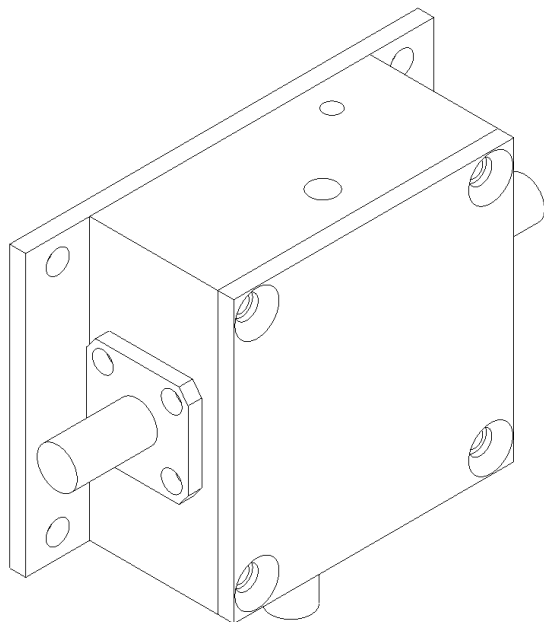


DIRCPL-10-1-1000-A-XX Directional Coupler, 10 dB coupling



Features

- Directional coupler
- Frequency range : 1 - 1000 MHz
- Coupling : 10 dB
- Insertion loss : 4 dB
- High isolation
- 3 SMA ports
- Very low return loss
- Solid aluminium case
- RoHS compliant

Applications

- Directional coupler
- Radio-frequency applications
- Test equipment
- HAM radio
- HF, VHF and UHF bands

General description

This three port device samples incident or reflected power without disturbing the transmission line (P1–P3).

It has a flat insertion loss and coupling. Isolation is > 40 dB over the entire operating range. Port 1 (DUT) has a low return loss, which keeps measurements errors due to impedance mismatch low.

The unit is designed for 50 ohm systems. It is housed in a milled aluminium enclosure.

Specifications

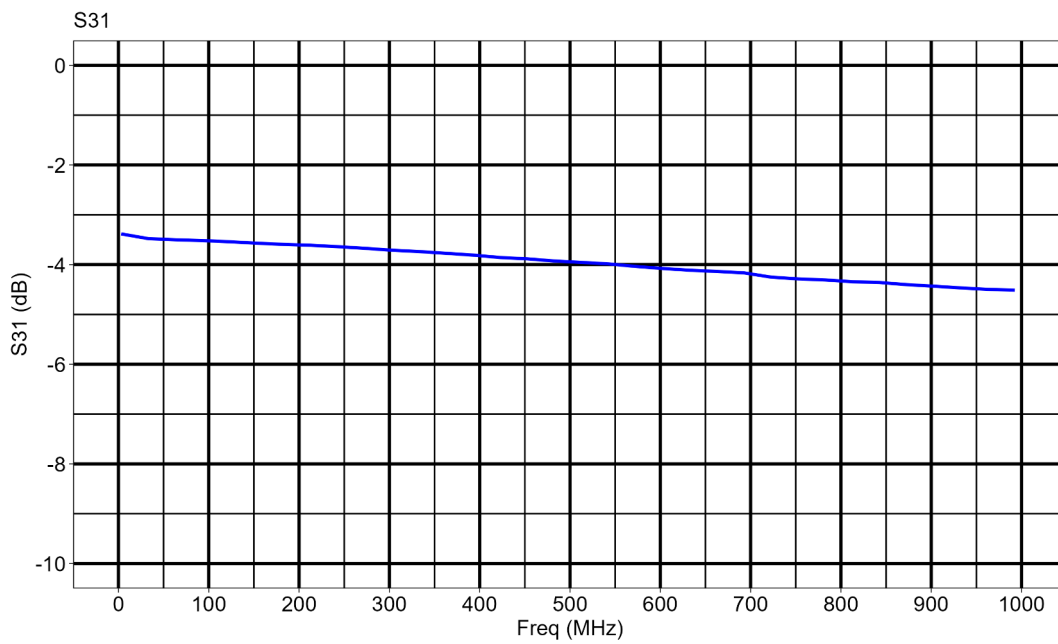
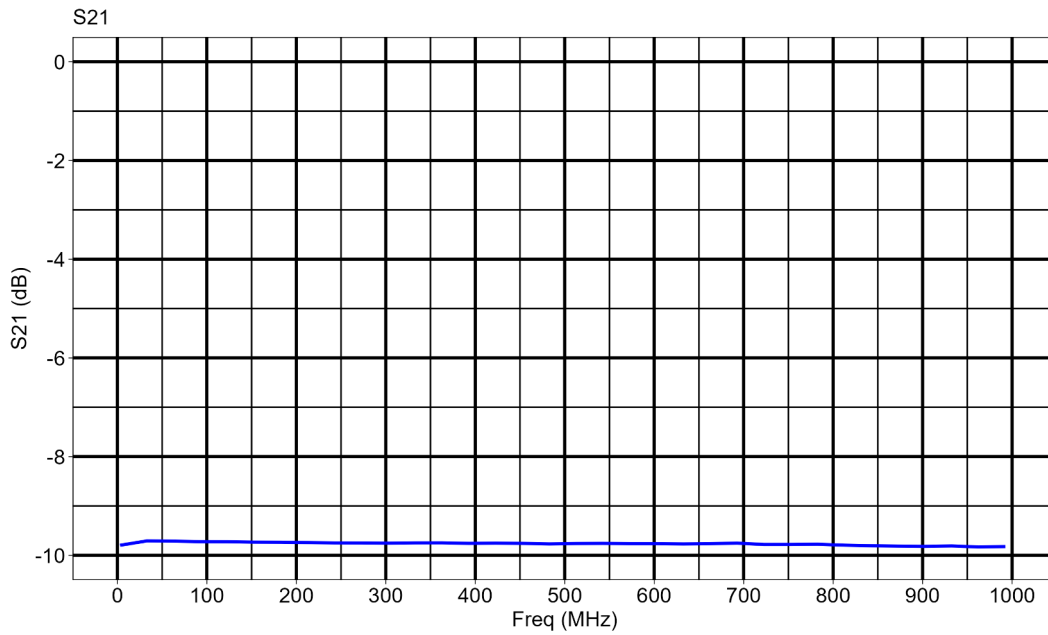
General

Item	Value	Tolerance	Dimension
Maximum signal power	23	-	dBm
Number of (female) SMA connector ports	3	-	-
Box weight DIRCPL-6-1-1000-A-..	0.056 (..YF-01) 0.053 (..NF-01)		kg
Outer dimensions (width x depth x height)	35 x 35 x 20	0.1	mm

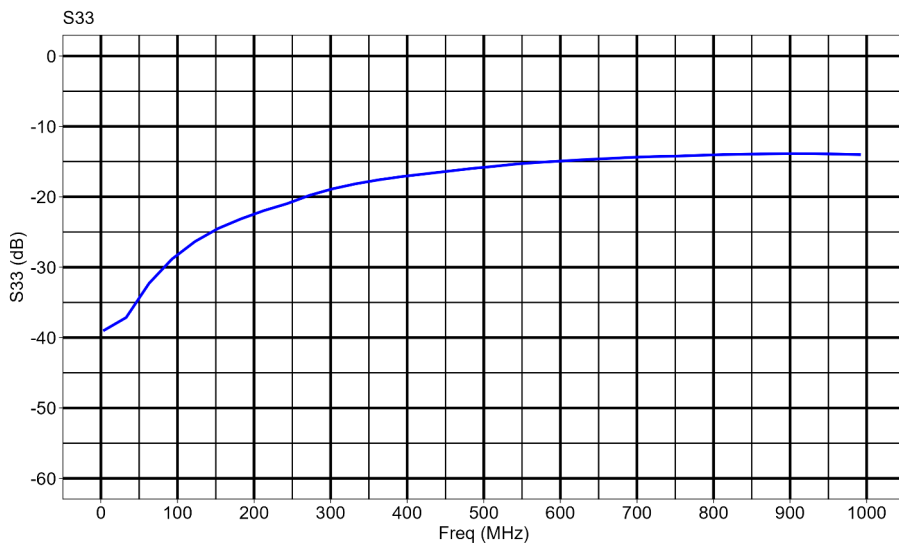
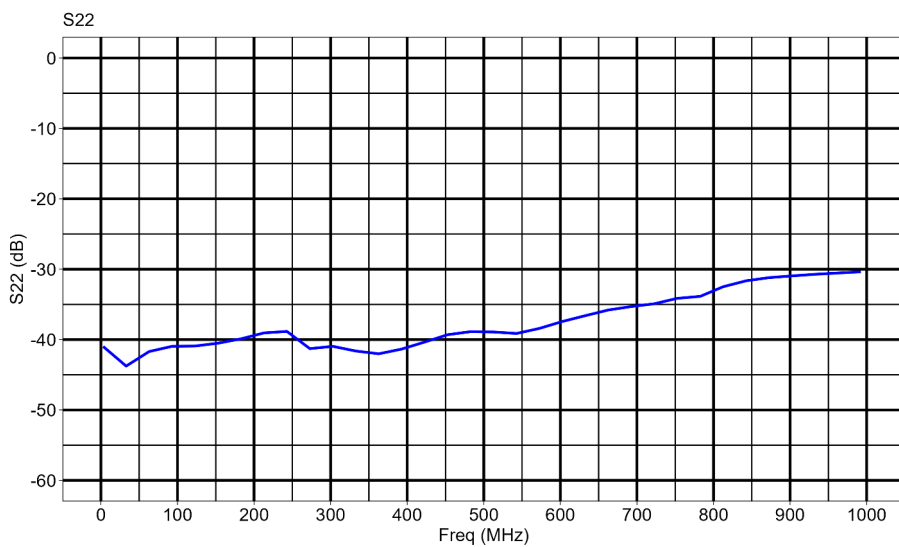
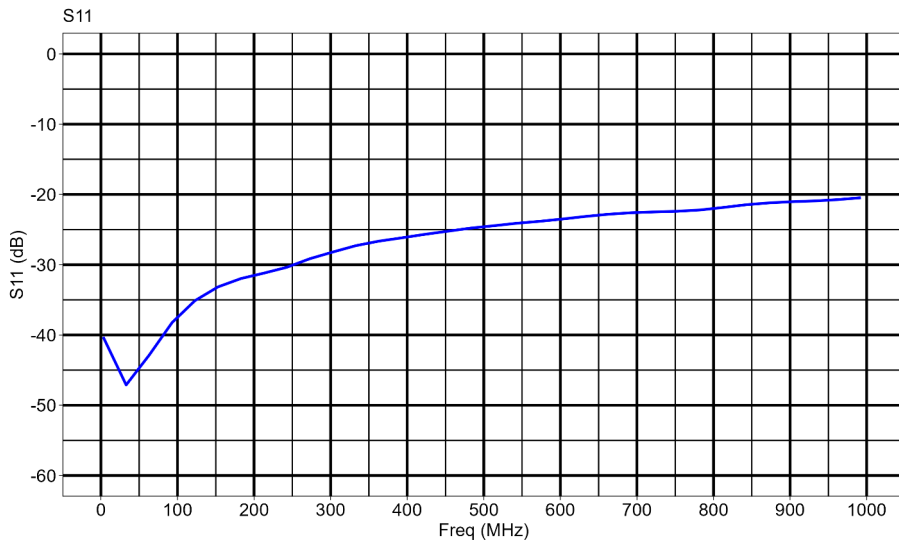
Versions

Type	Feature
DIRCPL-10-1-1000-A- NF	Box without mounting flange
DIRCPL-10-1-1000-A- YF	Box with mounting flange

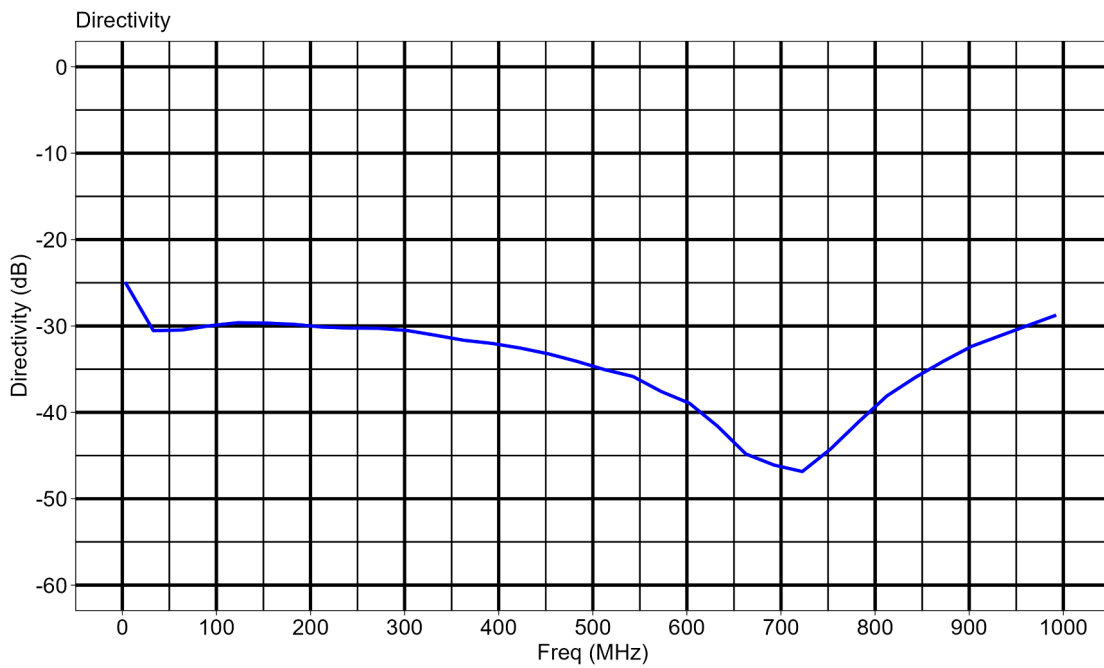
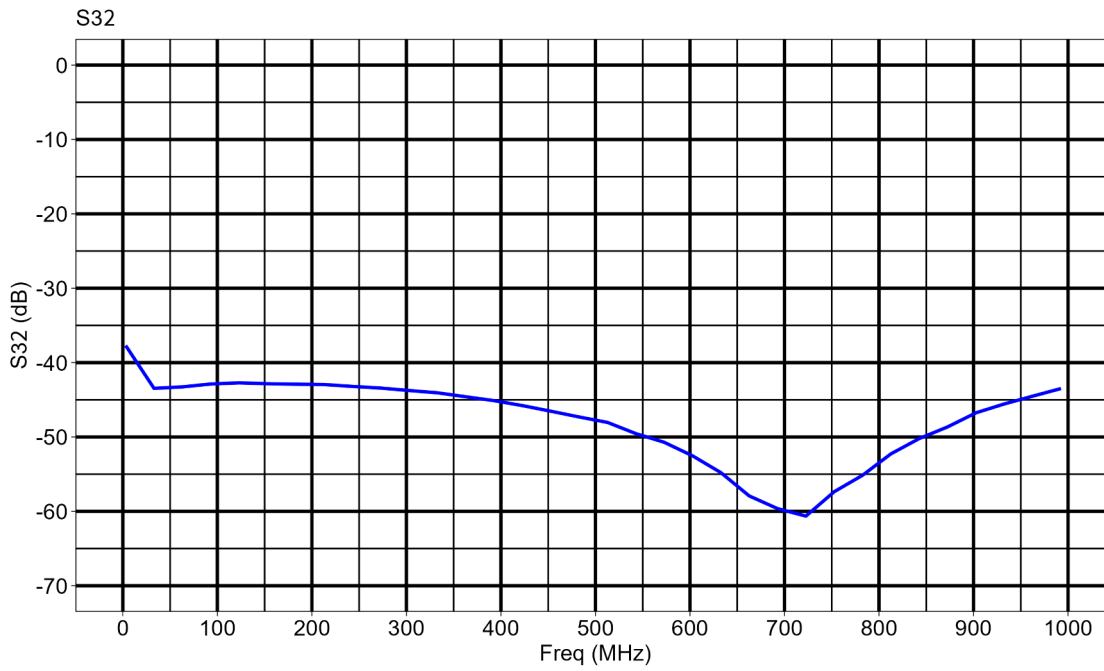
S-parameters



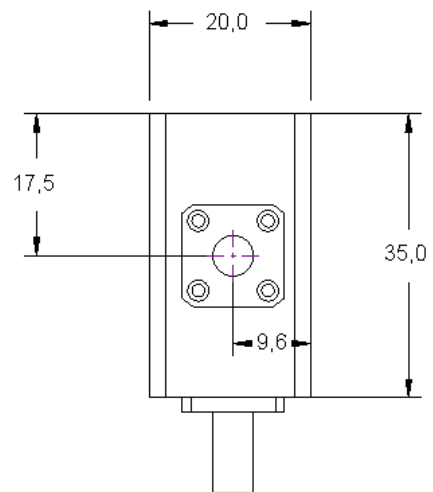
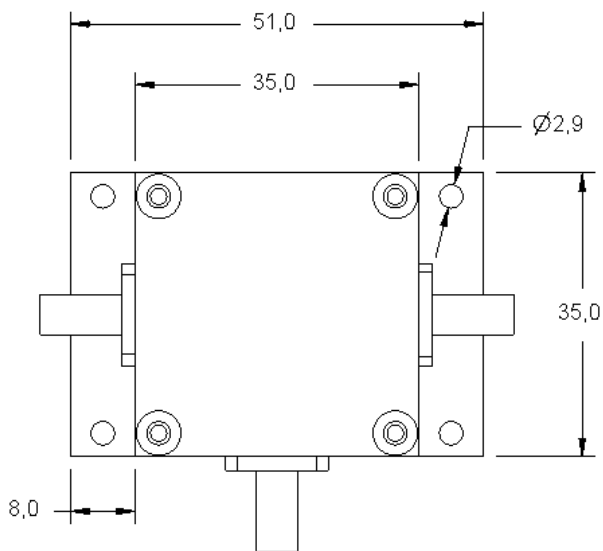
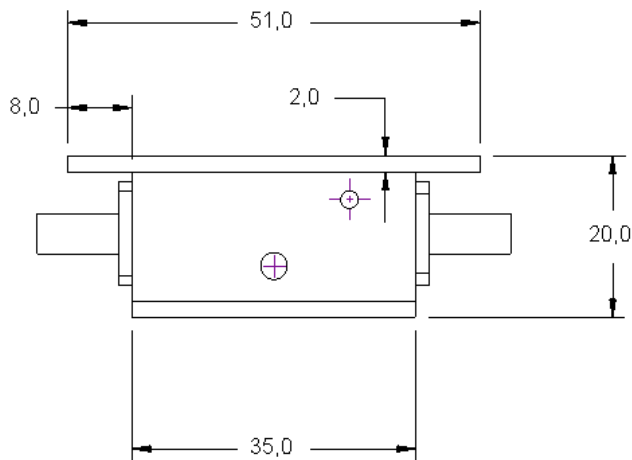
S-parameters (continued)



S-parameters (continued)



Enclosure Drawings



Note1 : All measures in mm. Tolerance : 0.1 mm.

Note2 : Drawing shows the DIRCPL-10-1-1000-A-YF version only. However, all dimension for the version DIRCPL-10-1-1000-A-NF are identical with the exception of the mounting flanges at the bottom side of the box, which don't exist in the '-NF version.



Revision history

Revision	Status	Date
007	Released	March 15, 2024

Legal

Specifications are subject to change without notice.

www.gequipment.com